

Mobile Systems Quik-Spec Specifications
Movable Lateral Series

3" WHEEL

For systems up to 1,000 lbs. per linear ft.

CTRACK

1.0 Rail to be 1/2" wide x 1/2" high # 1018 cold rolled steel rail positioned in 6063T56 "T" aluminum extrusion. Rail to be machined on all sides.

1.1 Each track to have a minimum base width of 3 1/2".

1.2 Shim kits are included for proper leveling to ensure smooth operation.

1.3 Track is secured to the floor with rawl type anchors. All necessary hardware is supplied.

1.4 Track sections are designed with a tongue and groove lap connection between each rail joint. This provides a superior junction in proper alignment for smooth carriage movement.

1.5 Beveled edges extend from each side to minimize the potential step up tripping hazard.

CARRIAGES

2.0 All carriages are of welded steel construction; carriage side members consist of 12 gauge welded steel and are capable of supporting 1,000 lbs. per linear carriage foot.

2.1 Carriage cross members are 12 gauge 1 1/2" x 3" welded "U" shaped steel channels.

2.2 Optional fixed carriages shall be of the same construction and height as movable carriages and shall be anchored to the floor for a complete, homogeneous system. These carriages shall be equipped with levelers to allow height adjustment to match the mobile (front) carriage height for a finished system appearance.

2.3 Carriage design allows shelving to be securely anchored to the top surface of all carriages.

WHEELS

3.0 All wheels to be a minimum of 3 1/4" in diameter, precision ground, double flanged, balanced and constructed from solid steel for smooth operation.

3.1 A minimum of four wheels is required per movable carriage.

SAFETY FEATURES

4.0 1" high x 1 1/2" wide end stops shall be mechanically fastened to each end of all rails to prevent carriage run-off.

4.1 Protective spacing is provided between shelving/carriages with 1/2" rubber carriage bumpers. This feature offers additional protection to user's fingers while absorbing impact between carriages during normal operations.

4.2 Anti-tip constraints are integral to the system by means of an extruded aluminum flange on the track and two self-engaging "L" brackets attached to each movable carriage.

ATTACHMENT OF SHELVING

5.0 Carriage construction shall be designed to allow numerous shelving designs to be securely anchored to the carriages. Shelving shall be secured to the carriages with tek screws provided.

QUALITY CONTROL

6.0 Systems are checked at the factory to ensure high quality and uninterrupted field installation.

INSTALLATION STANDARDS

7.1 All parts and fasteners are provided to ensure proper and safe installation.

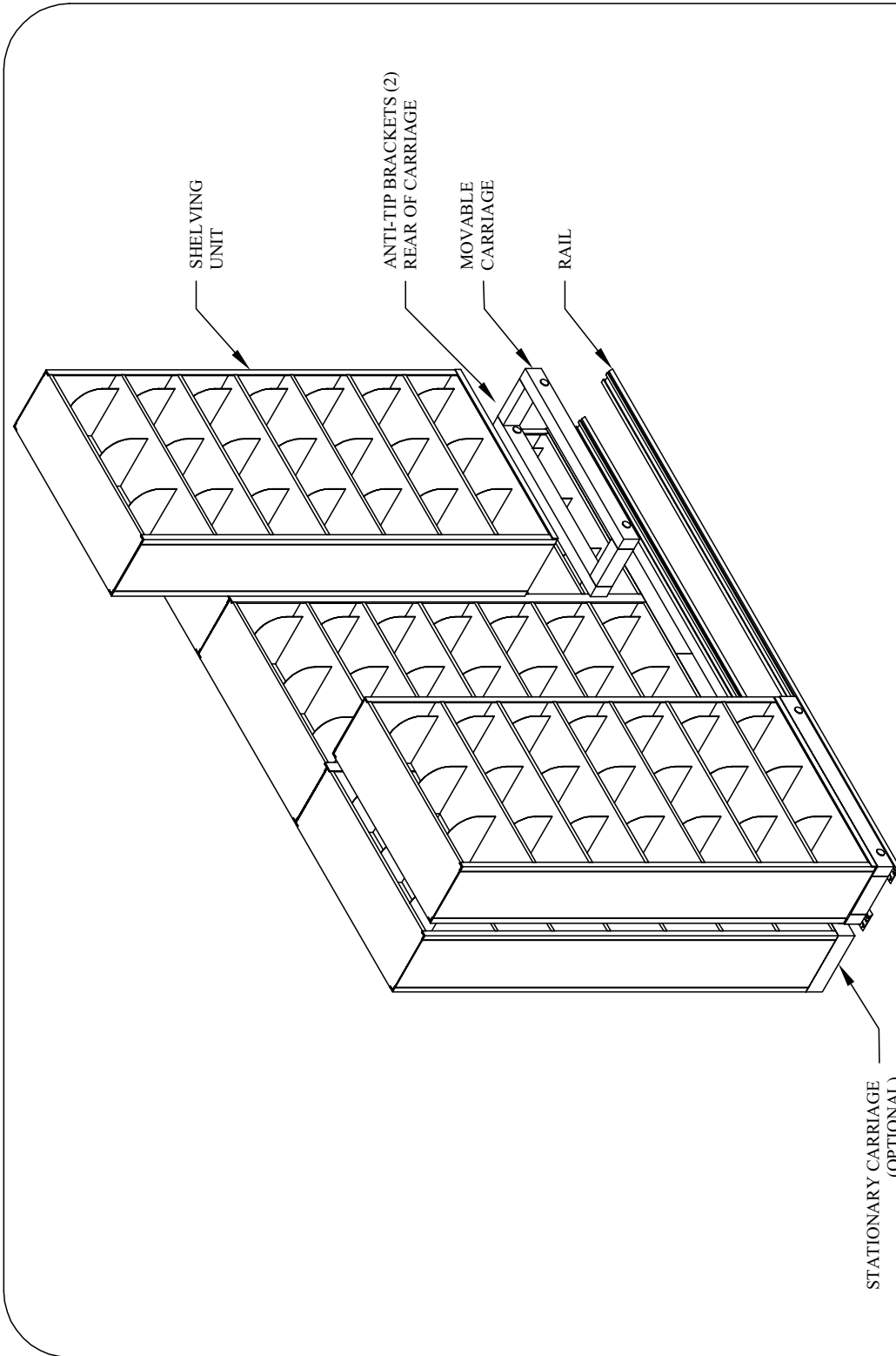
7.2 All mobile systems are to be installed by trained technicians.

CLEAN UP & DOCUMENTATION

8.0 All debris and excess materials resulting from installation shall be removed and the construction area left in a broom clean condition.

8.1 Additional Operators Manuals are available upon request.

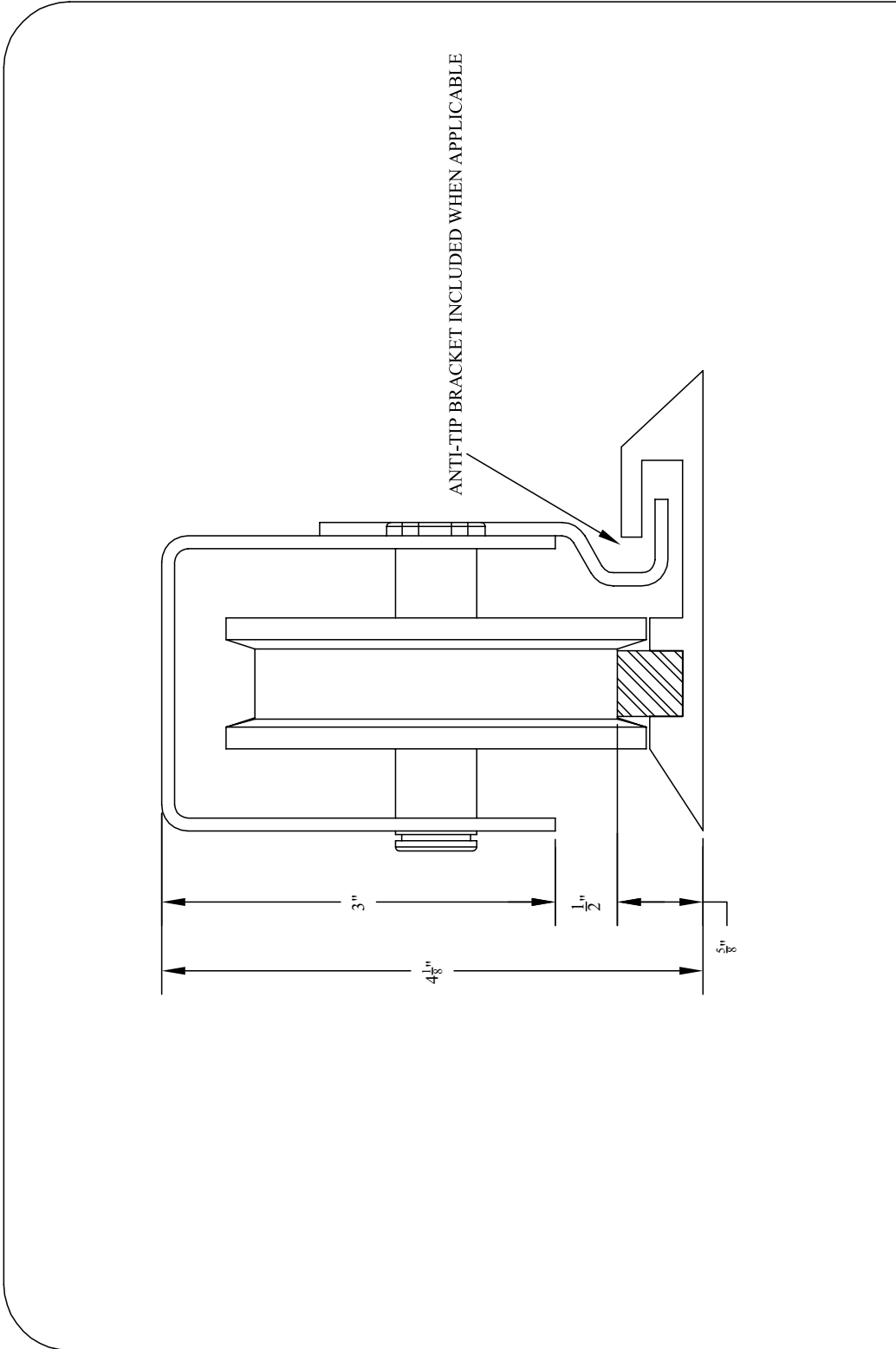
*DATE: OCTOBER 1, 2003
SPECIFICATIONS ARE SUBJECT TO CHANGE.*



ALL DESIGNS REPRESENTED BY THIS DRAWING ARE CONFIDENTIAL AND SHOULD NOT BE DISCLOSED WITHOUT WRITTEN PERMISSION FROM DIRECT LINE

TITLE:	3X2 LATERAL FILING SYSTEM		
FILE:	3X2LAT.DWG	REVISION:	00
SCALE:	NONE	DRAWN BY:	MED
DATE:	04/09/2001		

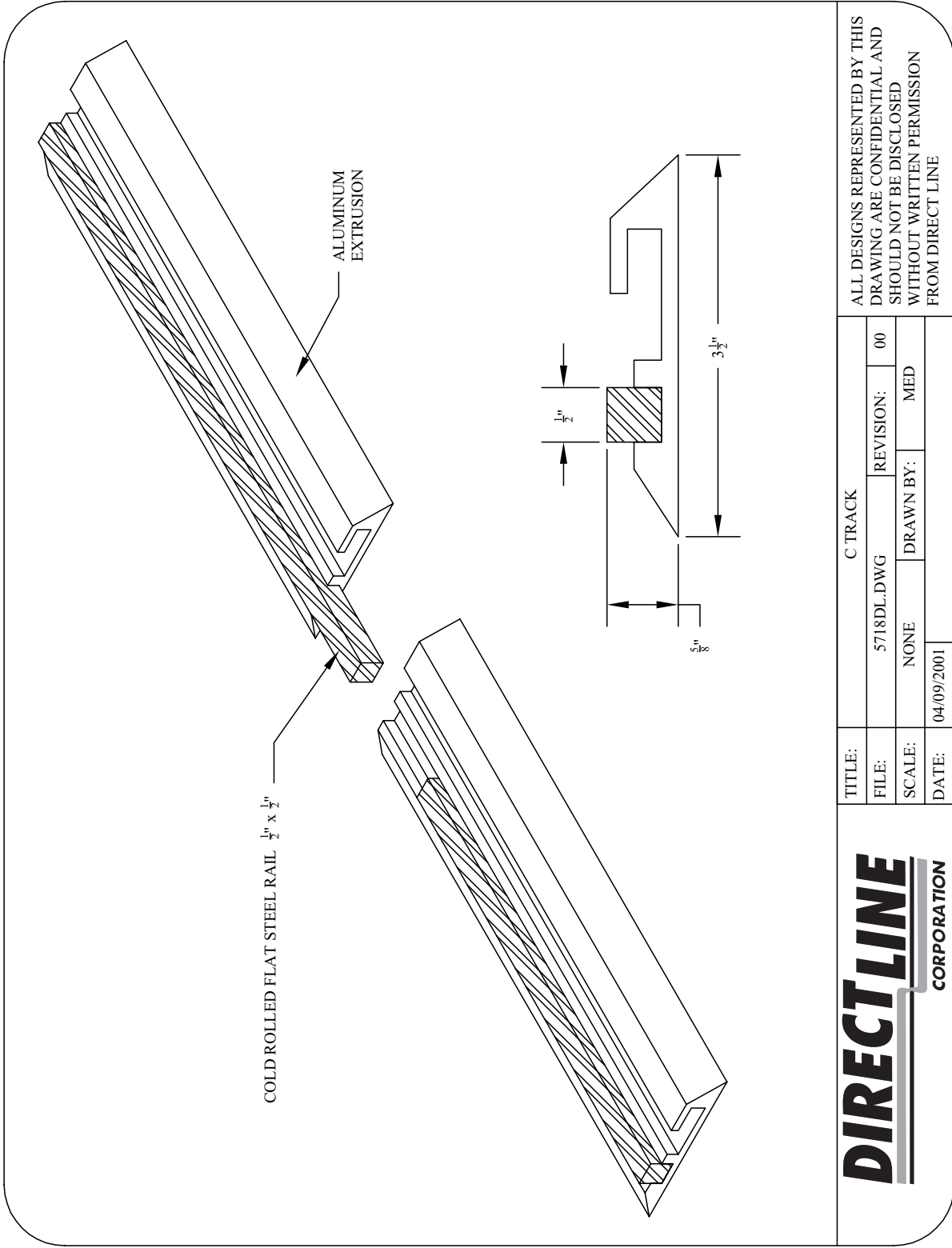
DIRECT LINE
CORPORATION



ALL DESIGNS REPRESENTED BY THIS DRAWING ARE CONFIDENTIAL AND SHOULD NOT BE DISCLOSED WITHOUT WRITTEN PERMISSION FROM DIRECT LINE

TITLE:	6001DL - C TRACK WITH 3" WHEELS		
FILE:	6001DL-C.DWG	REVISION:	00
SCALE:	NONE	DRAWN BY:	MED
DATE:	04/09/2001		

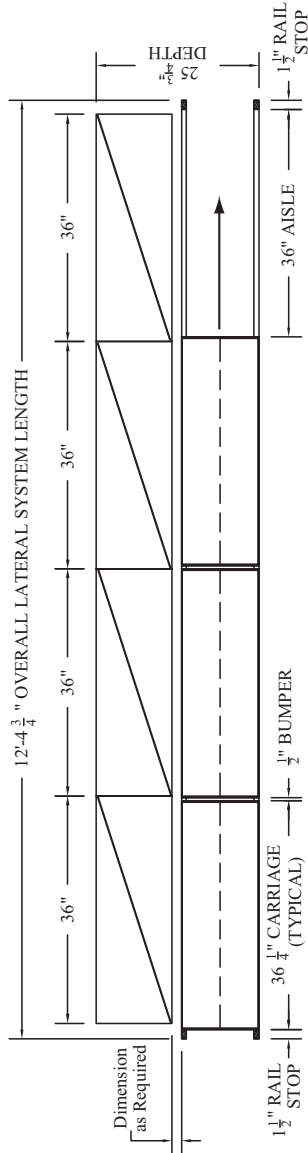
DIRECT LINE
CORPORATION



ALL DESIGNS REPRESENTED BY THIS DRAWING ARE CONFIDENTIAL AND SHOULD NOT BE DISCLOSED WITHOUT WRITTEN PERMISSION FROM DIRECT LINE

C TRACK			
TITLE:	5718DL.DWG	REVISION:	00
FILE:	NONE	DRAWN BY:	MED
SCALE:			
DATE:	04/09/2001		

DIRECT LINE
CORPORATION



ALL DESIGNS REPRESENTED BY THIS DRAWING ARE CONFIDENTIAL AND SHOULD NOT BE DISCLOSED WITHOUT WRITTEN PERMISSION FROM DIRECT LINE

TITLE:	4X3 LATERAL FILE STORAGE SYSTEM		
FILE:	4X3LATERAL.DWG	REVISION:	00
SCALE:	1/2"=1'-0"	DRAWN BY:	MED
DATE:	06/06/2001		

